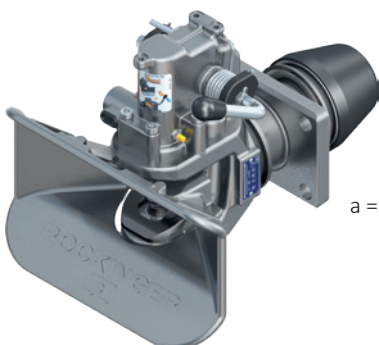
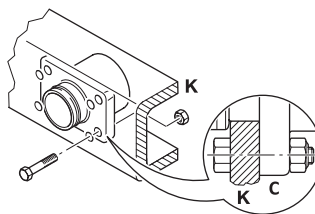
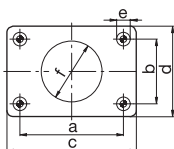
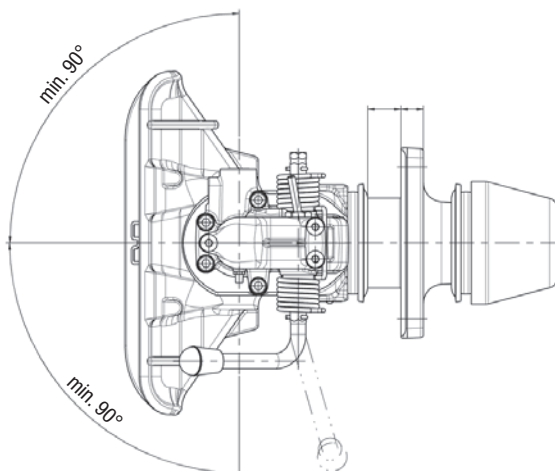
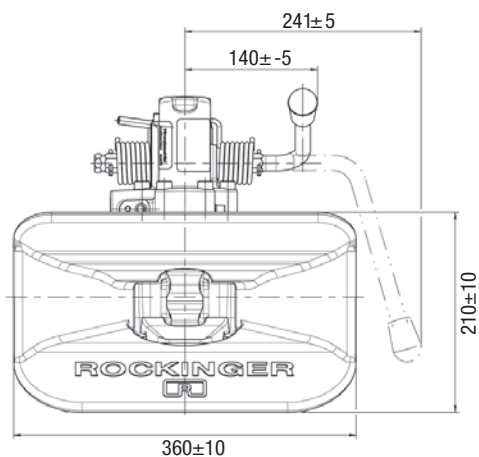
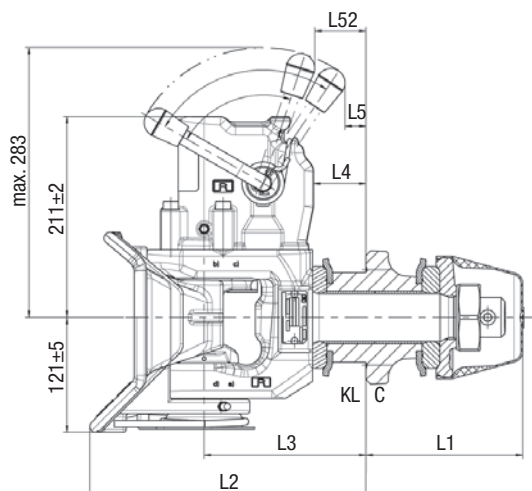


RO★40 E – 40 mm

- DE** Vollautomatische Anhängerkupplung
- EN** Fully automatic towing hitch
- FR** Crochet d'attelage entièrement automatique
- IT** Gancio di traino automatico
- ES** Enganche para remolque totalmente automático



a = 40 mm
DIN 74054, ECE R55-01 (Class S)



	a (mm)	b (mm)	c (mm)	d (mm)	e (mm)	f (mm)
135	120,0	55,0	155,0	90,0	15,0	74,0
145	140,0	80,0	180,0	120,0	17,0	84,0
150	160,0	100,0	200,0	140,0	21,0	94,0

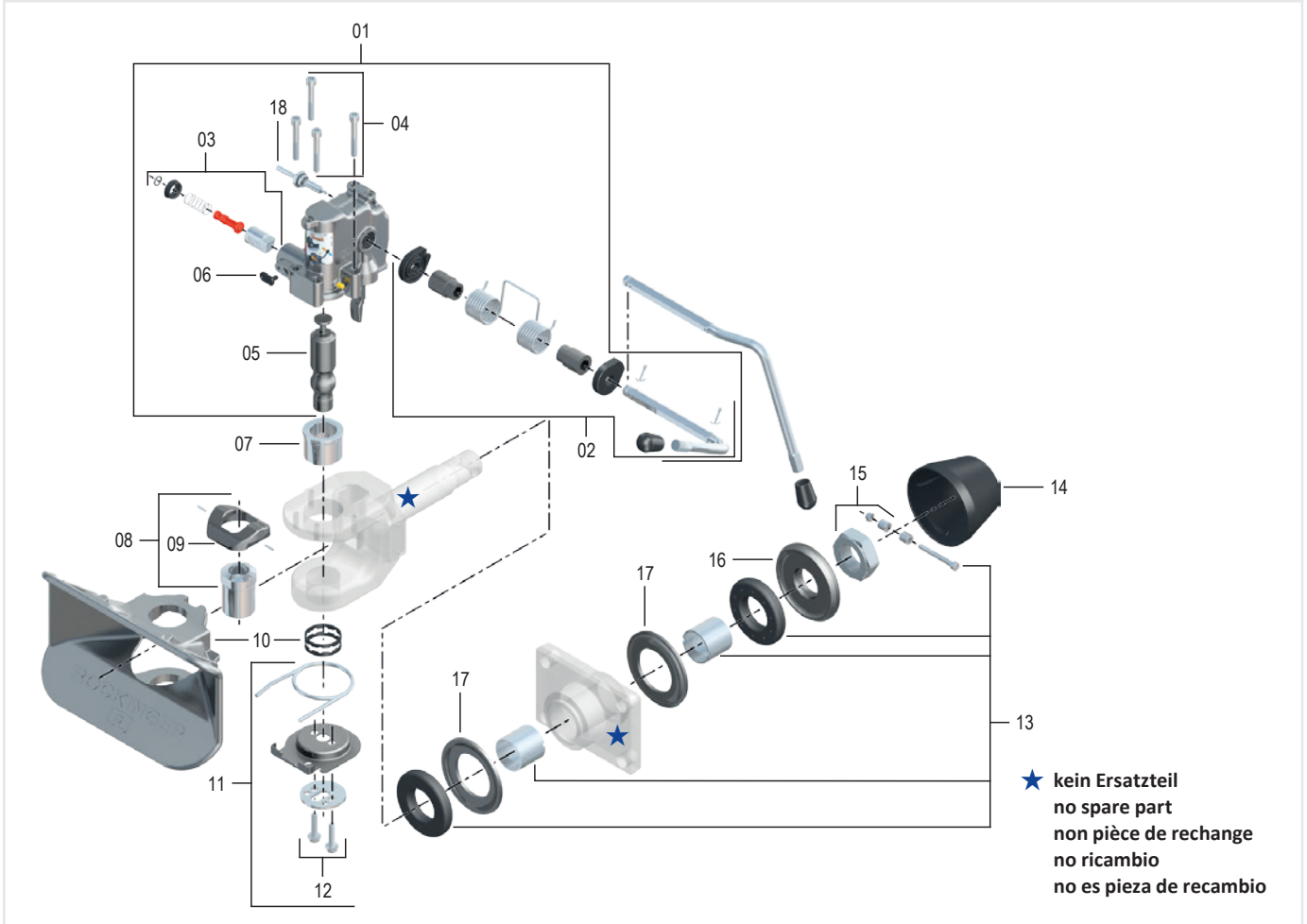
	L1 (mm)	L2 (mm)	L3 (mm)	L4 (mm)	L5 (mm)	L52 (mm)	K (mm)	C (mm)	Lm (mm)
135	147,0	286,0	166,0	51,0	18,0	51	11,0-32,0	22,0	180,0
145	166,0	290,0	170,0	55,0	22,0	54	11,0-35,0	23,5	230,0
150	166,0	290,0	170,0	55,0	22,0	54	11,0-35,0	23,5	230,0

Technische Daten • Technical data • Données technique • Dati tecnici • Datos técnicos

		 (mm)	 D (kN) Dc (kN)		 S (kg) V (kN)		 (kg)	ECE		
			D (kN)	Dc (kN)	S (kg)	V (kN)				
RO 410A36021	135	120 x 55	70	70,0	700	24,0	30,0	E1 55R-01 1602		
RO 410B36021	135	120 x 55	70	70,0	500	26,4	30,0	E1 55R-01 1602		
RO 410A46021	145	140 x 80	100	90,5	1000	50,0	33,0	E1 55R-01 1601		
RO 410B46021	145	140 x 80	100	90,5	1000	50,0	33,0	E1 55R-01 1601		
RO 410A51021	150	160 x 100	168	90,5	1000	50,0	35,0	E1 55R-01 1600		
RO 410B51021	150	160 x 100	168	90,5	1000	50,0	35,0	E1 55R-01 1600		

RO★40 E

Ersatzteile • Spare parts • Pièces de rechange • Ricambi • Piezas de recambio



Pos		ROE	
1	A	ROE 71330A	1
	B	ROE 71330B	1
2	A	ROE 71644A	1
	B	ROE 71644B	1
3		ROE 71643	1
4		ROE 30396	1
5		ROE 47121	1
6		ROE 25558	1
7		ROE 53565	1
8		ROE 71692	1
9		ROE 59388	1
10		ROE 46128	1
11		ROE 71331	1

Pos		ROE	
12		ROE 30486	1
13	G135	ROE 71639	1
	G145/150	ROE 71640	1
14	G135	ROE 25254	1
	G145/150	ROE 25347	1
15	G135	ROE 71641	1
	G145/150	ROE 71642	1
16	G145/150	ROE 12623	1
	G135	ROE 12636	1
17	G135	ROE 44130	2
	G145/150	ROE 44134	2
18		ROE 71438	1