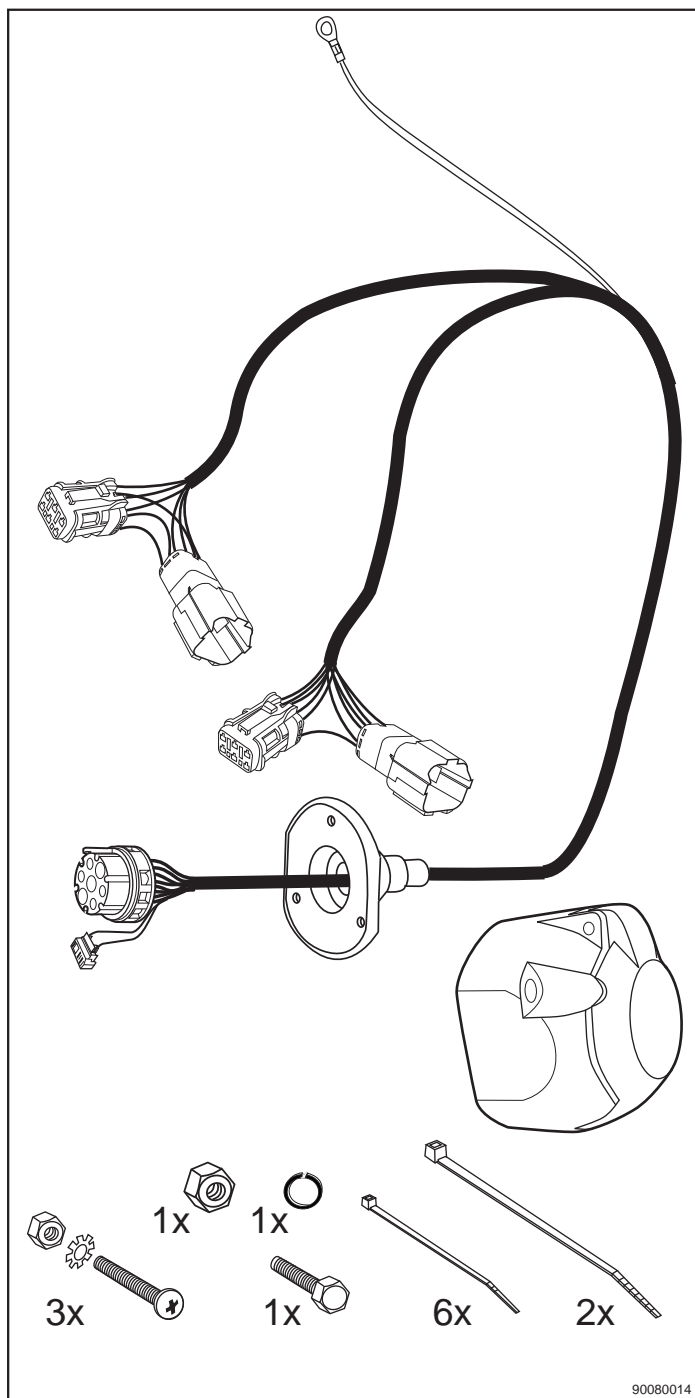
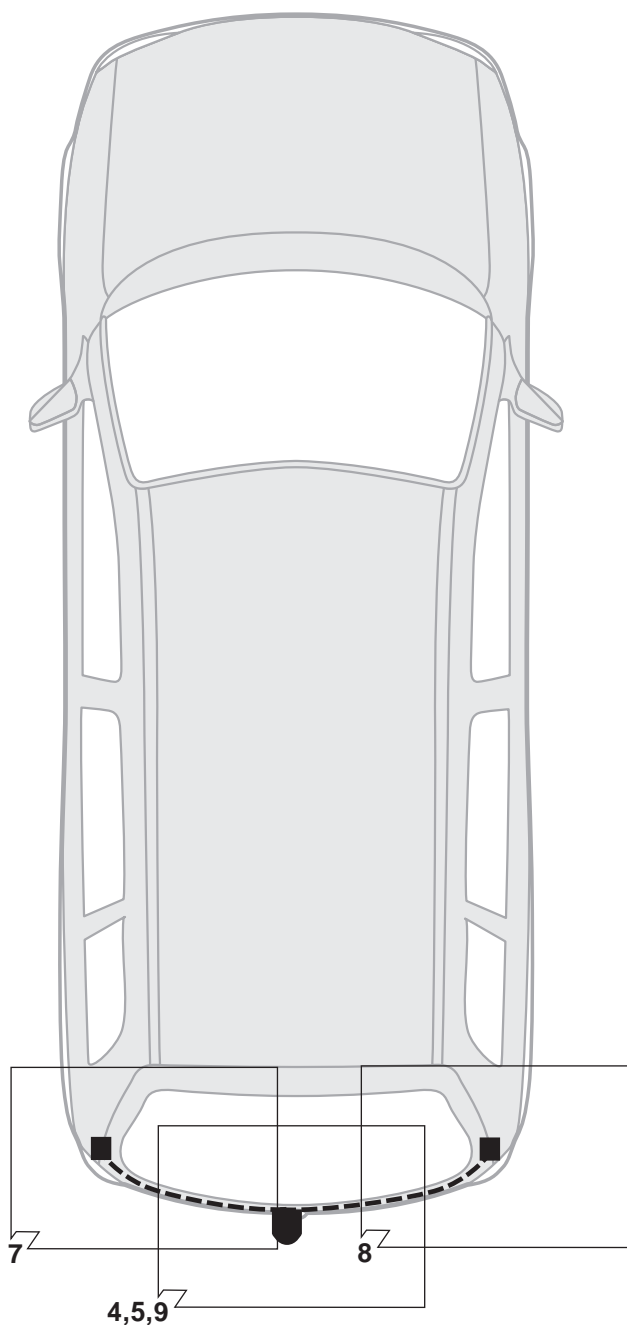
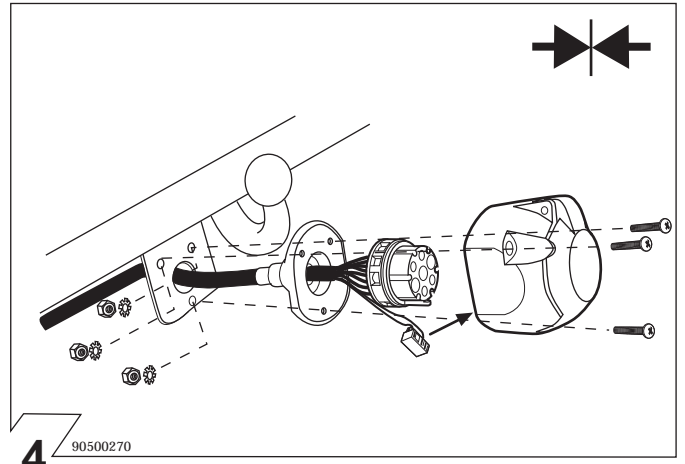
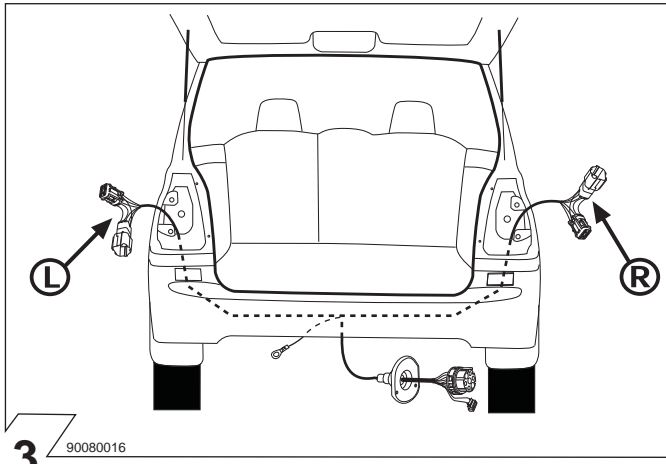
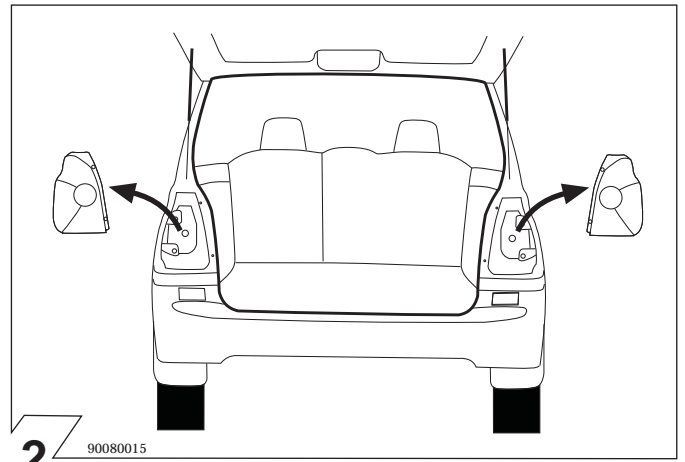
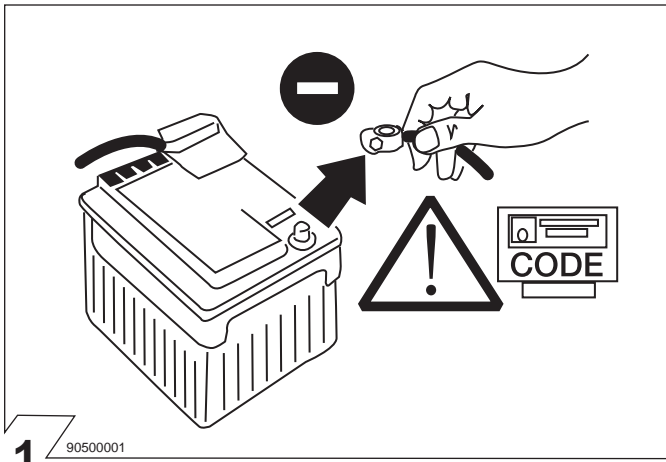


Terracan 01/02 →



90080014



Belegung der Steckdose/Socket Configuration/Correspondance des Contacts de la prise
Cavi della presa elettrica sono abbinati

ISO 1724		D	F	GB	I
	1/L	schwarz/weiß	noir/blanc	black/white	nero/giallo
	2	weiss	blanc	white	bianco
	3/31	braun	marron	brown	bruno
	4/R	schwarz/grün	noir/vert	black/green	nero/verde
	5/58-R	grau/rot	gris/rouge	grey/red	grigio/rosso
	6/54	schwarz/rot	noir/rouge	black/red	nero/rosso
	7/58-L	grau/schwarz	gris/noir	grey/black	grigio/nero

